



旋转式机械手

Swing Arm Robots

X-650[V]

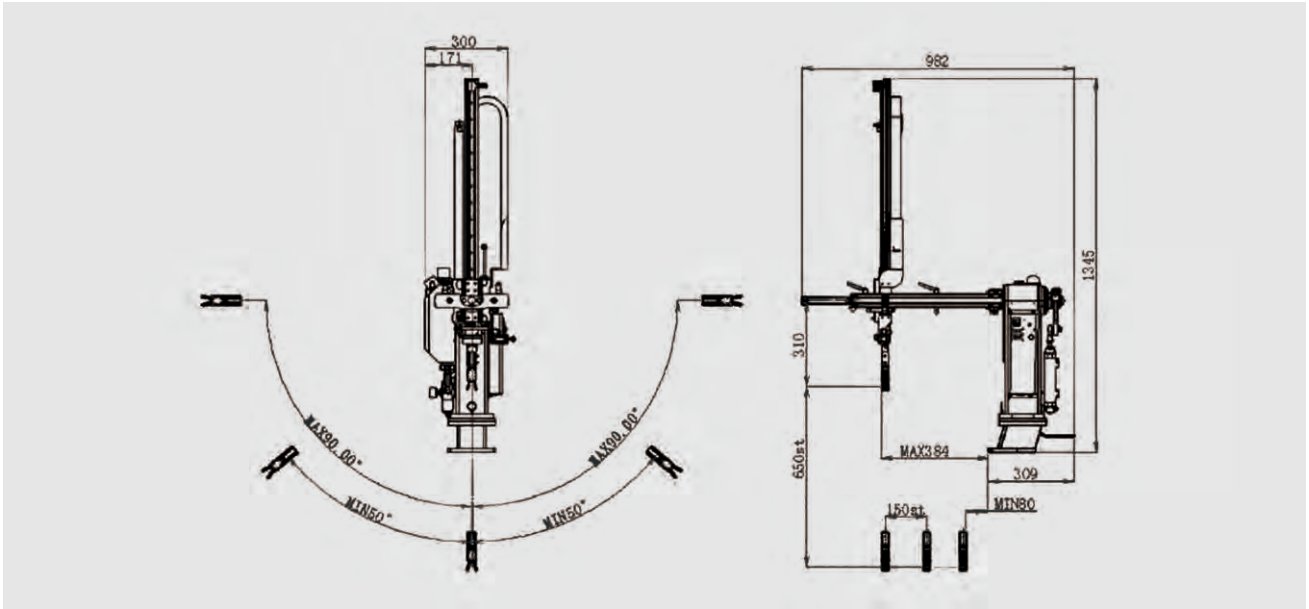
注塑用机械手
TAKE-OUT ROBOT

X-650[V]



注塑机锁模力
Injection Press Range
80 ~ 150ton

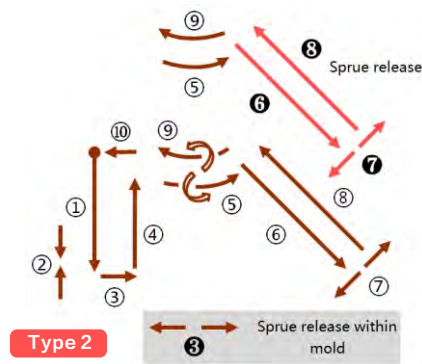
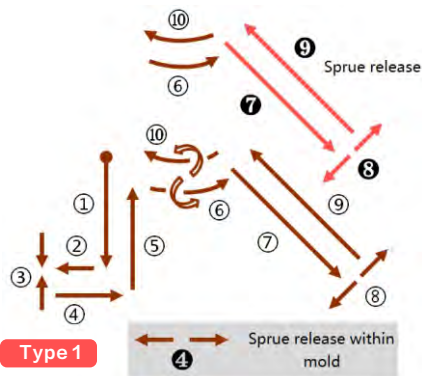
型式 MODEL	单位 UNIT	X-650[V]
电源 Power Source	V	AC 220 ± 10% 50/60Hz
最大消费电力 Max Power Consumption	KW	0.1
使用气压 Air Pressure	Mpa	0.5 ~ 0.7
空气消费量 Air Consumption	NI/cycle	17.7
驱动方式 Drive System	---	气缸/Air Cylinder
夹具部反转 Chuck twist	---	90°
■ 气缸推力 (气压0.49MPa时) Air Cylinder Driving Force (Air Pressure at 0.49MPa)		
最大可搬重量 Max.Load	Kg	2 [含夹具重量 / Incl Chuck Weight]
■ 行程 Stroke		
上下 Vertical	mm	650
前后 Crosswise	mm	120
回转 Swing	mm	50° ~ 90° [0°固定 Fixed]
■ 本体重量 Net Weight		
本体 Main Body	Kg	52



基本动作 MOTION PATTERN

Type 1

Type 2



①下降 Descent	①下降 Descent
②前进 Crosswise advance	②产品夹取 Product grip
③产品夹取 Product grip	③引拔 Crosswise retreat
④引拔 Crosswise retreat	③产品释放 Product release within mold
④产品释放 Product release within mold	④上升 Ascent
⑤上升 Ascent	⑤回转 Swing action
⑥回转 Swing action	夹具部反转 (产品侧) Chuck twist (product side)
⑥下降 Arm extend	⑥下降 Arm extend
⑦下降 Arm extend	⑦产品释放 Product release
⑧产品释放 Product release	⑧上升 Arm retreat
⑨上升 Arm retreat	⑨回转复归 Swing return
⑩回转复归 Swing return	夹具部反转复归 (产品侧) Chuck twist return (product side)
夹具部反转复归 (产品侧) Chuck twist return (product side)	⑩待机位置复归 Crosswise advance

有关产品性质和适用范围的说明并不保证产品属性，仅作可供了解的信息。我们的供货范围及提供的服务完全以合同条款为准绳。技术数据和插图仅作为供货参考。保留更改权利。

Feature and scope of the product does not guarantee the product attributes, only for reference. Our scope of delivery and services provided are based solely on the terms of delivery and services provided are based solely on the terms of the contract. Technical data and illustration are only for reference. We reserve the rights of changing.

TSD-2021-12

广东拓斯达科技股份有限公司

GUANGDONG TOPSTAR TECHNOLOGY CO.,LTD.

地址：广东省东莞市大岭山镇大塘朗创新路2号

ADD : No.2 Chuangxin Road, Datanglang, Dalingshan Town, Dongguan City, Guangdong Province.

电话/TEL: 0769-8305 0999 传真/FAX: 0769-8584 5562

全国统一客服热线 Domestic Service Hotline **400-096-8005**

